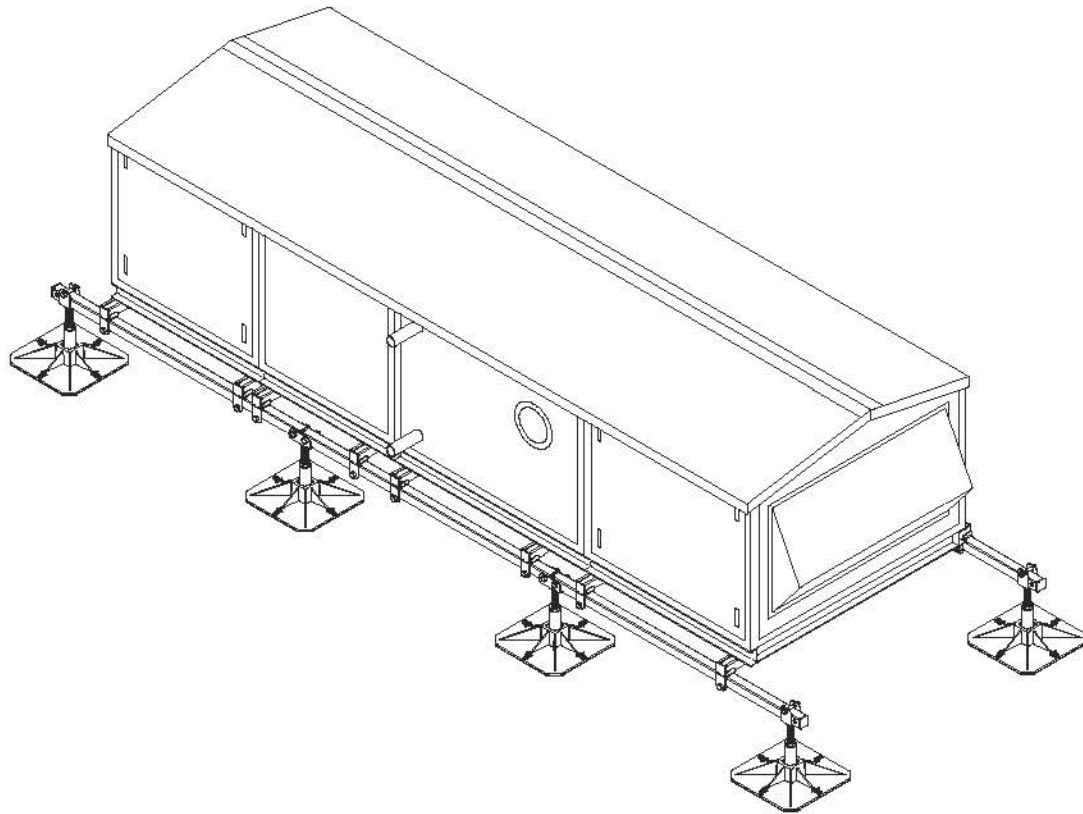


light

flexi light - flexi frames

Modular Frames for smaller Air Handling Units



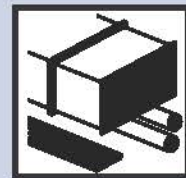
Features & Benefits

- Non-penetrative support
- Flexible design to accommodate late design changes
- Fast and simple installation
- Hot dip galvanised frameworks
- No time consuming clamping kits required, cross bars are industry standard strut fix
- Full AutoCAD drawing support
- Load management and wind calculations available
- Full on-site support and surveying services
- Available as standard 320mm square foot or 500mm option for heavy duty applications

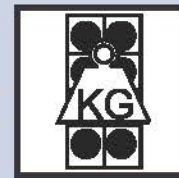
320mm square foot



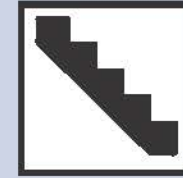
Pump House
 Glaisdale Drive East
 Nottingham
 NG8 4LY
 Tel: +44(0)115 900 5858
 www.flexisupportsystems.co.uk
 sales@flexisupportsystems.co.uk



everyday



heavy



access



solar

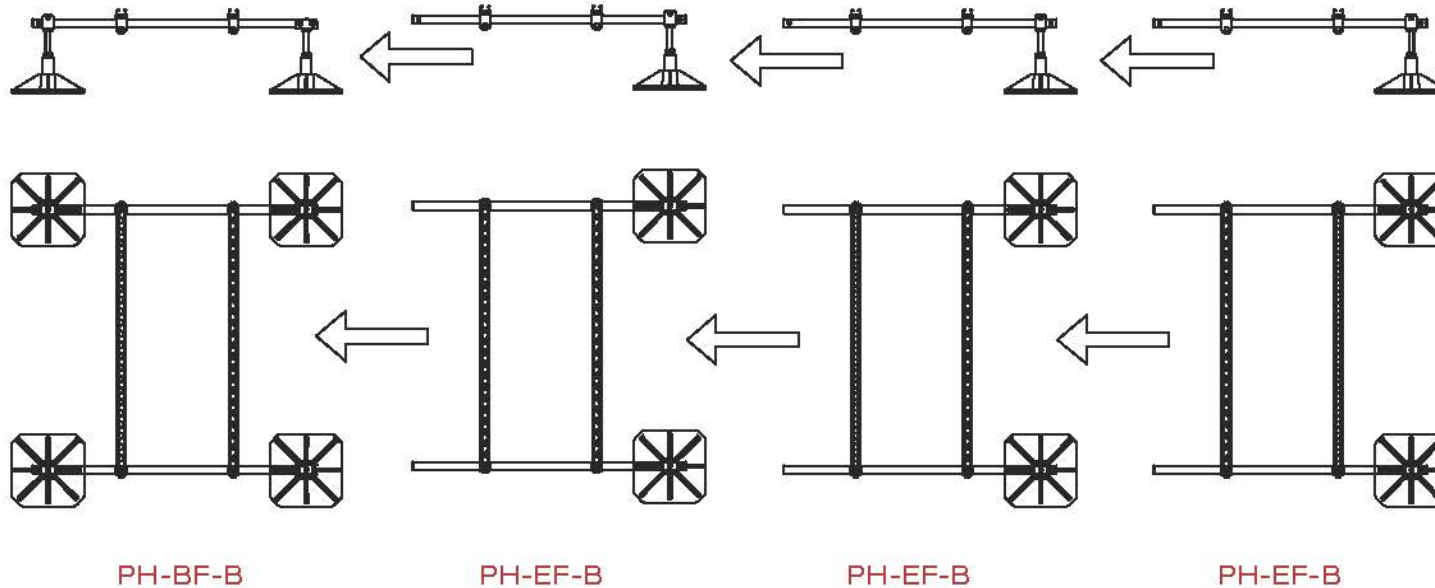


Flexi

flexi modular frames for smaller Air Handling Units (AHU's)

These versatile free standing frameworks are supplied boxed and come with fully adjustable M24 leg assemblies and our smaller 320mm square black polypropylene feet as standard, incorporating anti-vibration rubber mats adhered to the underside. Robust 40x40mm standard box section end bars linked to 41x41mm strut cross bars that slide along the end bars to accommodate ahu sectional positions. These frameworks are suitable for supporting smaller AHU's only. Please refer to our '*Flexi heavy duty modular frameworks*' for larger AHU applications.

Multiple Framework Arrangement to suit AHU size



Part Code	Description	Length	Width	Height	Weight	Max Load
PH-BF-B	Flexi - BASE FRAME (1200mm)	1200 mm	1200 mm	300-405 mm	30 kg	500 kg
PH-EF-B	Flexi - EXTENDER FRAME (1200mm)	1200 mm	1200 mm	300-405 mm	24 kg	500 kg



Flexi

Specification Extract

External Air Handling Units (AHU's) services will be supported on Pump House fully adjustable and hot dip galvanised flexi frames. Contact Pump House Tel: +44(0)115 900 5858.

Application

Suitable for supporting smaller AHU's, cross bars slide to accommodate AHU sectional lengths and quantities. Additional cross bars can be ordered if required.

Material Specification

- Foot - 320mm square as standard or 500mm square for heavy duty applications UV stabilised 90% polypropylene, 10% grp
- Mat - 100% natural rubber, (mat is adhered to the foot)
- Legs - 48mm dia. 3mm steel tube with M24 stud adjuster and 3mm thick U-clevis to top
- End bars - 40x40x3mm SHS (square hollow section)
- Cross bars - 41x41x2.5mm slotted stut with adjustable end clamps
- Finish - Hot dip galvanised steelwork BS EN 102191:1997. Galvanising: BS EN ISO 1461:1999. Salt mist testing: BS EN 60068-2-52

Our service offers you

- Quotation upon request
- Full AutoCAD drawings support
- Site support and site surveys
- Load management calculations
- 20 years experience in flat roof design and providing support systems to building services
- Fast delivery (FREE on large orders)
- Experienced in-house technical staff
- Friendly, family run business